

2015

Training@DELMIA



30D, Jalan PJS 1/46, Petaling Utama, Petaling
Jaya, 46000 Selangor Darul Ehsan
Tel: +603-7783 3459 | Fax: +603-7781 6818
Email : training@mawea.com.my
Website : www.mawea.com.my



Contents

| Course | Subject | Code | Duration (day) |
|--------|------------------------|---------|----------------|
| 2.2 | <u>Training@DELMIA</u> | | |
| | Process Engineer | DEL-A01 | 3 |
| | Quest | DEL-A02 | 4 |
| | DPM Assembly | DEL-A03 | 3 |
| | Human Solutions | DEL-A04 | 4 |
| | Robotics | DEL-A05 | 3 |
| | Operation Intelligence | DEL-A06 | 2 |

Please do not hesitate to call **MAWEA** at **03-7783 3459** for further info or **FAX to 03-77816818** for registration.

MAWEA INDUSTRIES SDN. BHD. (356204-A)

30D, Jalan PJS 1/46, Petaling Utama, 46000 Petaling Jaya, Selangor, Malaysia.

Tel: +603 - 7783 3459 Fax: +603 - 7781 6818 Email: training@mawea.com.my

www.mawea.com.my



DELMIA V5 TRAINING – BASIC PROCESS ENGINEER



Venue : MAWEA TRAINING CENTRE (Petaling Jaya, Selangor)

Date : TBC

Duration/Time : 3 Days (9.00 a.m. to 5.00 p.m.)

Introduction

This course is designed especially for those who are implementing Process Engineer in their environment. Process Engineer provides a high-quality solution for early recognition of process risks, re-use of proven processes, traceable changes and decisions, and access to scattered process knowledge. We will apply the software to the development of a project as the methodology for introducing the functionality and capability of this solution.

Objective

- Build the elements of material handling systems that are specific to the QUEST model
- Create and manipulate kinematics devices

Contents

Process Engineer Overview

Setting Tools
Create Product View
Create Process Planning
Create Process Graph
Create Production Plan
Create Resource View
Create Manufacturing Concept



Deliver Outputs

Export data to excel sheet
Process Engineer – DPM Integration
Process Engineer – QUEST Integration

Information Functions

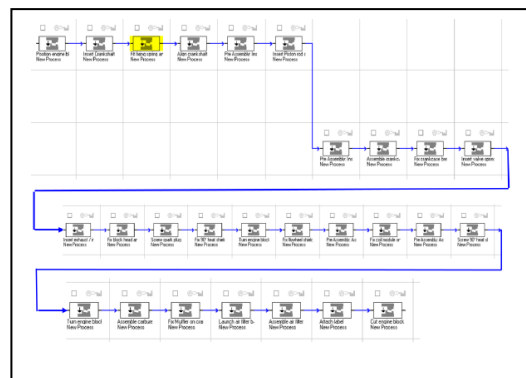
Find Functions
Attribute List
Executing Scripts

Add Time Analysis

Create STM Working Environment
Create Time Analysis
Define and Apply Allowance Set
Customize and apply Allowance set
Create Datacards

Change Management

General Information
Rules for planning MCM projects



Please do not hesitate to call **MAWEA** at **03-7783 3459** for further info or **FAX to 03-77816818** for registration.

MAWEA INDUSTRIES SDN. BHD. (356204-A)

30D, Jalan PJS 1/46, Petaling Utama, 46000 Petaling Jaya, Selangor, Malaysia.

Tel: +603 - 7783 3459 Fax: +603 - 7781 6818 Email: training@mawea.com.my

www.mawea.com.my



DELMIA V5 TRAINING – DELMIA QUEST



Venue : MAWEA TRAINING CENTRE (Petaling Jaya, Selangor)

Date : TBC

Duration/Time : 4 Days (9.00 a.m. to 5.00 p.m.)

Introduction

The Queuing Event Simulation Tool (QUEST) discrete event simulation package is a very powerful simulation tool that will allow you to design and analyze complex systems. QUEST is a complete 3D digital factory environment for process flow simulation and analysis.

Objective

- The process of building the elements of material handling systems that are specific to the QUEST model
- To create and manipulate kinematics devices

Contents

Introduction to QUEST

Lesson 1: Overview

Case Study: Shop Model

Step 1: Modeling Methodology

Lesson 2: Getting Started

Workbenches and Toolbars

Step 1: Start-up Options

Lesson 3: Material Handling System

Workbenches and Toolbars

Step 1: Conveyor System Modeling

Step 2: Create Pallets

Lesson 4: Animation and Kinematics

Workbenches and Toolbars

Step 1: Build Basic CAD Parts

Lesson 5: Interrupts

Workbenches and Toolbars

Step 1: Define Shifts and Schedules

Lesson 6: Advanced Preview Usage

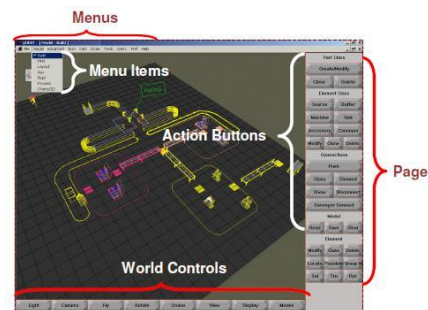
Workbenches and Toolbars

Step 1: Create Cranes

Step 2: Create Reports

Step 3: Debug

Step 4: Data Interface Methodology



Please do not hesitate to call **MAWEA** at **03-7783 3459** for further info or **FAX to 03-77816818** for registration.

MAWEA INDUSTRIES SDN. BHD. (356204-A)

30D, Jalan PJS 1/46, Petaling Utama, 46000 Petaling Jaya, Selangor, Malaysia.

Tel: +603 - 7783 3459 Fax: +603 - 7781 6818 Email: training@mawea.com.my

www.mawea.com.my



DELMIA V5 TRAINING – DPM ASSEMBLY



Venue : MAWEA TRAINING CENTRE (Petaling Jaya, Selangor)

Date : TBC

Duration/Time : 3 Days (9.00 a.m. to 5.00 p.m.)

Introduction

This course will teach you how to create simulations for an Assembly Project used in a stand-alone mode using a task-based approach. You will learn the commands, options, and menus within the context of completing a design task with the help of case studies illustrating these processes.

Objective

- Create the working environment
- Create the process plan
- Create and enhance the simulation
- Analyze movement
- Create output files
- Conduct tool validation

Contents

Create the Working Environment

Create the Environment
Create the Process
Create the Simulation

Enhance the Simulation

Create Annotations
Create Viewpoint Activities
Create Visibility Activities
Create Pause and Delay Activities

Analyze the Simulation

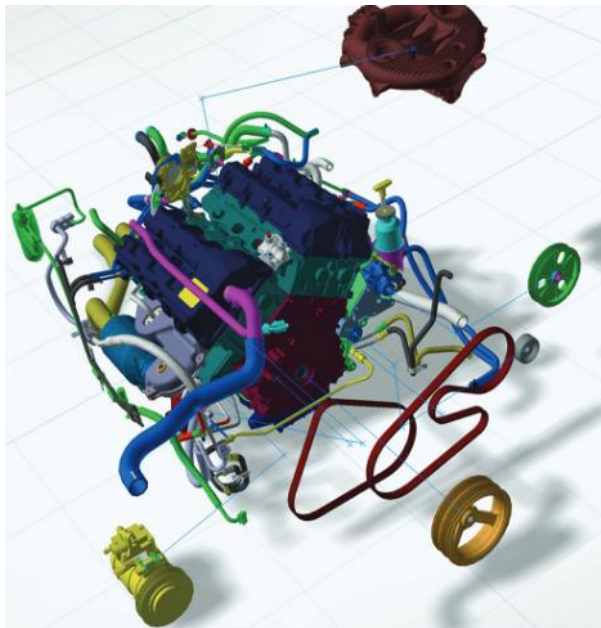
Conduct Collision Analysis
Conduct Distance, Band and Bind Analyses
Conduct Sectioning Analysis
Determine Swept Volume
Conduct Measure Analysis
Use the Gantt chart

Create Output Files

Create AVIs
Create HTML Documentation

Conduct Tool Validation

Conduct Validation with Clash
Create Persistent Validation
Conduct validation with Human



Please do not hesitate to call **MAWEA** at **03-7783 3459** for further info or **FAX to 03-77816818** for registration.

MAWEA INDUSTRIES SDN. BHD. (356204-A)

30D, Jalan PJS 1/46, Petaling Utama, 46000 Petaling Jaya, Selangor, Malaysia.

Tel: +603 - 7783 3459 Fax: +603 - 7781 6818 Email: training@mawea.com.my

www.mawea.com.my



DELMIA V5 TRAINING – HUMAN SOLUTIONS



Venue : MAWEA TRAINING CENTRE (Petaling Jaya, Selangor)

Date : TBC

Duration/Time : 4 Days (9.00 a.m. to 5.00 p.m.)

Introduction

This course teaches you how to use the Human software to create an accurate simulation of a human entity and its work environment to ensure a natural operation. You will learn to create, manipulate, and analyze how the manikins interact with a product and its environment.

Objective

- Create the working environment
- Create a manikin and a workspace
- Use the Human Measurements Editor
- Perform a Human Activity Analysis
- Perform a Human Posture Analysis
- Perform a Human Task Simulation

Contents

Create the Working Environment

Human Simulation Resource-Centric Approach
Exploring the 3D Environment

Creating a Manikin and Workspace

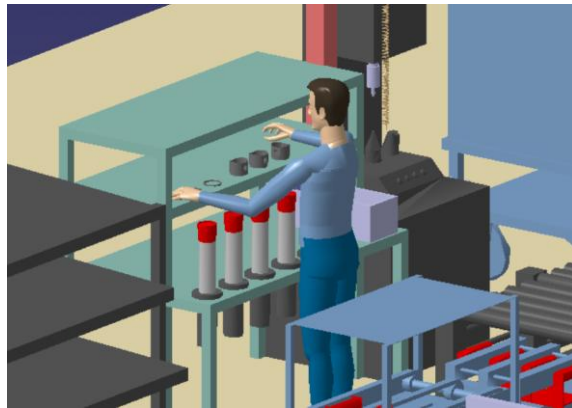
Creating the workspace
Setting Manikin Properties
Manipulating the Manikin
Interacting with the Workspace
Setting the Manikin Constraints
Creating Catalogs
Performing Clash Analysis

Performing Human Activity Analysis

Using the Human Measurement Editor
Human Posture analysis

Performing Human Task Simulation

Creating a Process Activity
Creating a Manikin activity
Inserting Resources
Performing Motion Analysis



Please do not hesitate to call **MAWEA** at **03-7783 3459** for further info or **FAX to 03-77816818** for registration.

MAWEA INDUSTRIES SDN. BHD. (356204-A)

30D, Jalan PJS 1/46, Petaling Utama, 46000 Petaling Jaya, Selangor, Malaysia.

Tel: +603 - 7783 3459 Fax: +603 - 7781 6818 Email: training@mawea.com.my

www.mawea.com.my



DELMIA V5 TRAINING – V5 ROBOTICS



Venue : MAWEA TRAINING CENTRE (Petaling Jaya, Selangor)
Date : TBC
Duration/Time : 3 Days (9.00 a.m. to 5.00 p.m.)

Introduction

V5 Robotics (ROB) will teach you how to create, program, simulate, and validate an entire robot workcell for any manufacturing industry. You will learn how to create a tag and robot task. You will also learn to create Input / Output (IOs) connections and validate them in context with the organizational resource. Finally, you will learn to create robot controller profiles.

Objective

- Prepare the working environment
- Build the layout
- Create tags and robot tasks
- Optimize the simulation

Contents

Introduction to the V5 environment

- Customizing the Startup, toolbars, and options

Build the Layout (Inserting Products and Resources)

- Using the Compass and Snap Operators
- Insert Products and Resource Components
- Using Snap and Child Selection to Complete the Layout

Tag Points and Robot Tasks

- Create Tag Points
- Creating Robot Tasks
- Move a Robot
- Running a Single Robot Process

Activities and Assignments

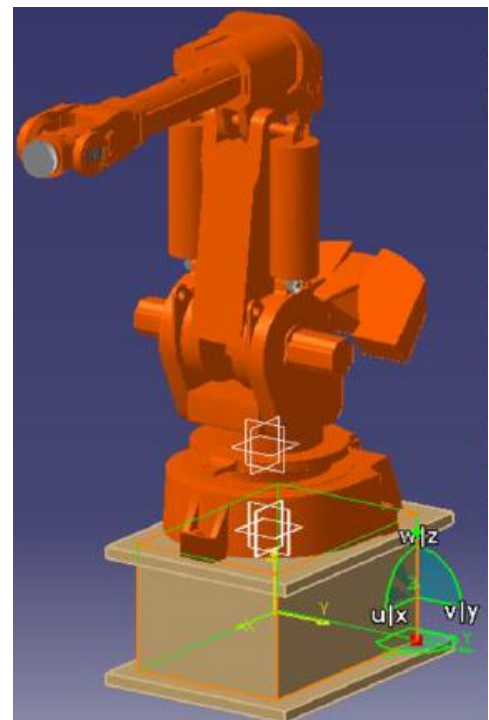
- Create Activities (Using Fastening Process Planner)
- Fastener Assignment
- Resource Assignment
- Add Weld Gun Functions

Optimizing the Simulation

- Robot Task Analysis
- Mapping and Monitoring I/Os
- Multiple Resource Simulation
- Robot Controller Profiles (Speeds and Corner Rounding)

Advanced Topics

- Advanced Robotic Functionality
- Editing Manufacturing Positions
- Offline Programming
- Device Building (Including Inverse Kinematics)



Please do not hesitate to call **MAWEA** at **03-7783 3459** for further info or **FAX to 03-77816818** for registration.

MAWEA INDUSTRIES SDN. BHD. (356204-A)

30D, Jalan PJS 1/46, Petaling Utama, 46000 Petaling Jaya, Selangor, Malaysia.

Tel: +603 - 7783 3459 Fax: +603 - 7781 6818 Email: training@mawea.com.my

www.mawea.com.my



DELMIA O.I. TRAINING – OPERATIONS INTELLIGENCE



Venue : MAWEA TRAINING CENTRE (Petaling Jaya, Selangor)
Date : TBC
Duration/Time : 2 Days (9.00 a.m. to 5.00 p.m.)

Introduction

This course will explain to you what is Operations Intelligence. Operations Intelligence is able to optimize yield and reduce scrap/rework in production process that can improve overall production/manufacturing efficiency. The main tool for Operations Intelligence is Process Rule Discovery. Delmia Process Discovery is a unique intelligence tool for manufacturing and research. It uses historical data to find simple solutions to complex questions. You will learn how to manipulate the Process Rule Discovery from start (Raw Data Import) to finish (Rules Evaluation). You will also learn more about integrating Operations Advisor, Operations Execution, Performance Tracker into your Manufacturing and Production Process for complete process optimization.

Objectives

Upon completion of this course you will be able to:

- Understand Operations Intelligence and its capabilities
- Discover Operations Advisor, Performance Tracker, Process Rule Discovery, etc.
- Operate Process Rule Discovery
- Understand the steps to obtain Rules
- Know about Operations Advisor, Execution and Performance Tracker Integration

Contents

1st day

- Introduction to Operations Intelligence
- How Operations Intelligence Works
- Process Rule Discovery demonstration
- The Concept Of Explanatory Rules
- Learning by Generalization
- Build and Validate Rules

2nd day

Process Rule Discovery

- Data Import
- Process Mapping
- Clean Raw Data
- Discretization
- Study Creation
- Rules Learning
- Review & Evaluate Rules

OI Industrial Exercise

- Composite Manufacturing
- Plastic Injection Moulding
- Pharmaceutical
- Semiconductor
- Tire & Rubber
- Foundry & Steel Industry



Please do not hesitate to call MAWEA at 03-7783 3459 for further info or FAX to 03-77816818 for registration.

MAWEA INDUSTRIES SDN. BHD. (356204-A)

30D, Jalan PJS 1/46, Petaling Utama, 46000 Petaling Jaya, Selangor, Malaysia.

Tel: +603 - 7783 3459 Fax: +603 - 7781 6818 Email: training@mawea.com.my

www.mawea.com.my

