

2015

Training@CATIA Composer



30D, Jalan PJS 1/46, Petaling Utama, Petaling
Jaya, 46000 Selangor Darul Ehsan
Tel: +603-7783 3459 | Fax: +603-7781 6818
Email : training@mawea.com.my
Website : www.mawea.com.my



Contents

Course	Subject	Code	Duration (day)
2.4	<u>Training@Catia Composer</u>		
	Catia Composer Fundamentals	3DV-A01	2
	Catia Composer Advanced	3DV-A02	2

Please do not hesitate to call **MAWEA** at **03-7783 3459** for further info or **FAX to 03-77816818** for registration.

MAWEA INDUSTRIES SDN. BHD. (356204-A)

30D, Jalan PJS 1/46, Petaling Utama, 46000 Petaling Jaya, Selangor, Malaysia.

Tel: +603 - 7783 3459 Fax: +603 - 7781 6818 Email: training@mawea.com.my

www.mawea.com.my



TRAINING@CATIA COMPOSER – CATIA COMPOSER FUNDAMENTALS



Venue : MAWEA TRAINING CENTRE (Petaling Jaya, Selangor)

Date : TBC

Duration/Time : 2 Days (9.00 a.m. to 5.00 p.m.)

Introduction

This course will teach you how to work with a 3d model using Catia Composer to capture its views, add annotations, and change its rendering. You will learn how to create technical illustrations and high resolution images. You will also learn how to create animations; publish and share the content.

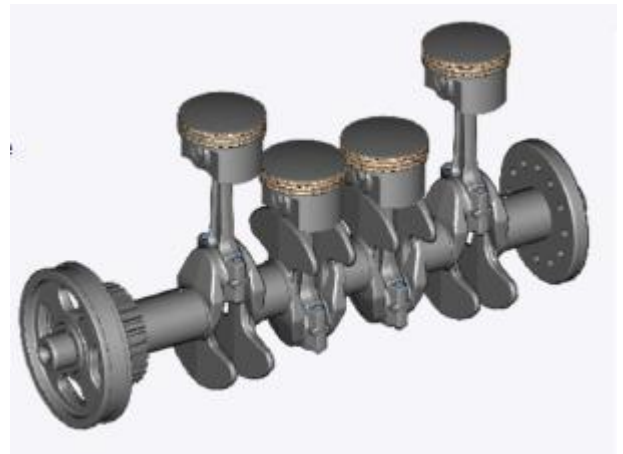
Objectives

Upon completion of this course you will be able to :

- Open and navigate inside a model with Catia Composer
- Apply various rendering styles and annotations
- Create exploded views of the model
- Create Bills of Materials
- Create animations
- Publish and embed the content in Word, PowerPoint and HTML documents

Contents

- Introduction to Catia Composer
- Getting Started with Catia Composer
- Creating Views
- Creating Bill of Material
- Creating Animations
- Saving and Sharing Data
- Updating Data Using the Source CAD File
- Master Project- Engine Assembly
- Shortcuts
- Glossary



Please do not hesitate to call **MAWEA** at **03-7783 3459** for further info or **FAX to 03-77816818** for registration.

MAWEA INDUSTRIES SDN. BHD. (356204-A)

30D, Jalan PJS 1/46, Petaling Utama, 46000 Petaling Jaya, Selangor, Malaysia.

Tel: +603 - 7783 3459 Fax: +603 - 7781 6818 Email: training@mawea.com.my

www.mawea.com.my



TRAINING@ CATIA COMPOSER – CATIA COMPOSER EXPERT



Venue : MAWEA TRAINING CENTRE (Petaling Jaya, Selangor)

Date : TBC

Duration/Time : 2 Days (9.00 a.m. to 5.00 p.m.)

Introduction

This course will teach you how to work with a 3d model using Catia Composer to capture its views, add annotations, and change its rendering. You will learn how to create technical illustrations and high resolution images. You will also learn how to create animations; publish and share the content.

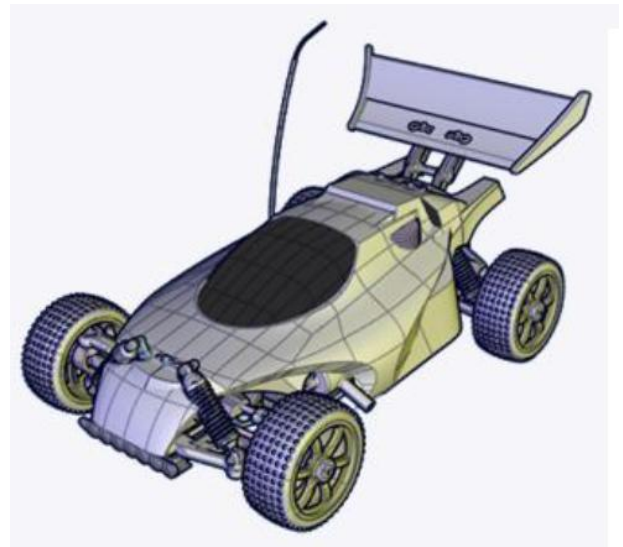
Objectives

Upon completion of this course you will be able to :

- Understand the file types and use Catia Composer Sync
- Create Advanced Views
- Create Styles and High Resolution Images
- Create Advanced Animations
- Share Files using Simplification Module and Catia Composer Safe
- Export Files using custom templates

Contents

- Importing CATIA Data Using Catia Composer Sync
- Creating Advanced Views
- Rendering the Product
- Creating Advanced Animations
- Sharing the Files
- Exporting the Catia Composer Contents
- Shortcuts
- Glossary



Please do not hesitate to call **MAWEA** at **03-7783 3459** for further info or **FAX to 03-77816818** for registration.

MAWEA INDUSTRIES SDN. BHD. (356204-A)

30D, Jalan PJS 1/46, Petaling Utama, 46000 Petaling Jaya, Selangor, Malaysia.

Tel: +603 - 7783 3459 Fax: +603 - 7781 6818 Email: training@mawea.com.my

www.mawea.com.my

