

2015

Review & Optimization@CATIA



30D, Jalan PJS 1/46, Petaling Utama, Petaling
Jaya, 46000 Selangor Darul Ehsan
Tel: +603-7783 3459 | Fax: +603-7781 6818
Email : training@mawea.com.my
Website : www.mawea.com.my





CATIA

THE DIGITAL PRODUCT EXPERIENCE



Contents

Course	Subject	Code	Duration (day)
2.1.5	<u>Review&Optimization@CATIA</u>		
	DMU Animated Product Review (Navigation-Fitting-Kinematics)	CAT-D01	3
	DMU Kinematic	CAT-D02	1

Please do not hesitate to call **MAWEA** at **03-7783 3459** for further info or **FAX to 03-77816818** for registration.

MAWEA INDUSTRIES SDN. BHD. (356204-A)

30D, Jalan PJS 1/46, Petaling Utama, 46000 Petaling Jaya, Selangor, Malaysia.

Tel: +603 - 7783 3459 Fax: +603 - 7781 6818 Email: training@mawea.com.my

www.mawea.com.my





CATIA

THE DIGITAL PRODUCT EXPERIENCE

CATIA V5 ANIMATED PRODUCT REVIEW

Venue : MAWEA TRAINING CENTRE (Petaling Jaya, Selangor)

Date : TBC

Duration/Time : 3 Days (9.00 a.m. to 5.00 p.m.)



Introduction

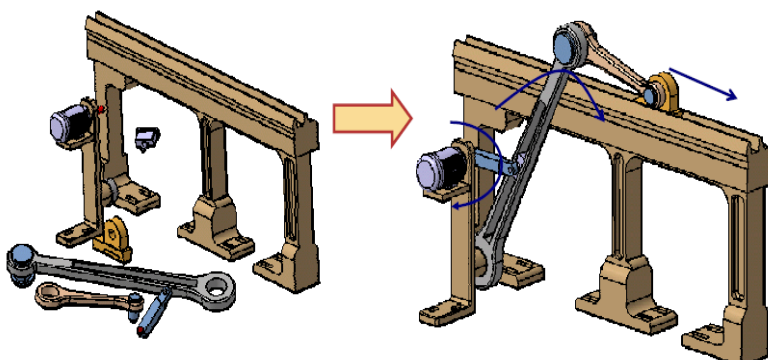
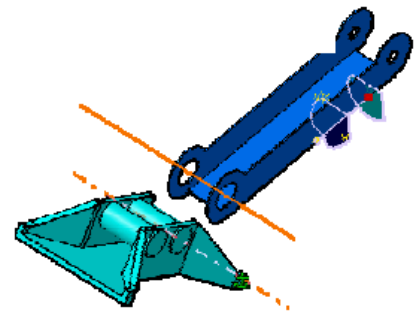
CATIA V5 Animated Product Review is a customize training program that going to cover on how import existing part and managing the product assembly. This course will help you to understand the capabilities of each CATIA V5 Digital Mock-Up workbench and analyze which one suits your needs in a given situation. You will learn how to visualize and inspect a complex assembly in order to investigate the problem areas and highlight critical points.

Objective

- Explore and familiar with the Basic Assembly Design.
- Explore and familiar with the Measure Tools feature.
- Explore and familiar with the Assembly Space analysis tools.
- Getting familiar with measuring different types of elements.
- Understand and use the capabilities of the Digital Mock-Up Workbenches
- Manage assembly components and explore their mock-up details

Contents

- How to import part to existing assembly.
- Manipulate the Position in the Component.
- Assemble and Fully Constraints Components.
- Introduction to Analyzing Assemblies
- Measuring, Sectioning and Clash
- Simulating Mechanisms
- Analyzing Movements



Please do not hesitate to call **MAWEA** at **03-7783 3459** for further info or **FAX** to **03-77816818** for registration.

MAWEA INDUSTRIES SDN. BHD. (356204-A)

30D, Jalan PJS 1/46, Petaling Utama, 46000 Petaling Jaya, Selangor, Malaysia.

Tel: +603 - 7783 3459 Fax: +603 - 7781 6818 Email: training@mawea.com.my

www.mawea.com.my





CATIA

THE DIGITAL PRODUCT EXPERIENCE

CATIA V5: DIGITAL MOCK UP KINEMATICS SIMULATIONS

Venue : MAWEA TRAINING CENTRE (Petaling Jaya, Selangor)

Date : TBC

Duration/Time : 1 Day (9.00 a.m. to 5.00 p.m.)



Introduction

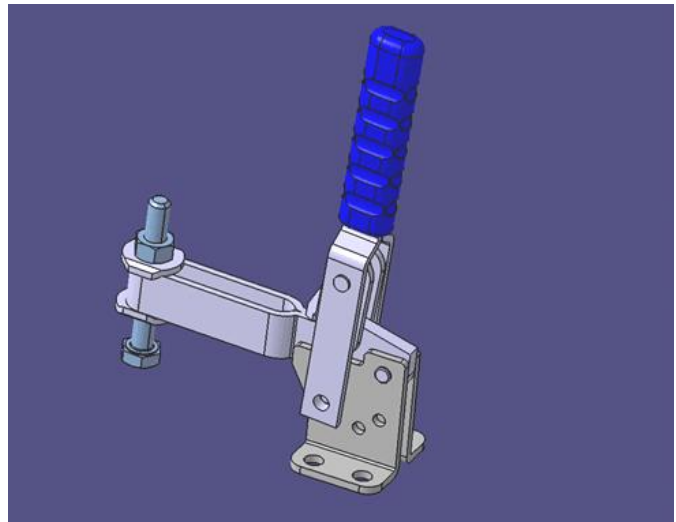
This course will help you to understand the capabilities of each CATIA V5 Digital Mock-Up workbench and analyze which one suits your needs in a given situation. You will learn how to visualize and inspect a complex assembly in order to investigate the problem areas and highlight critical points.

Objective

- Understand and use the capabilities of the Digital Mock-Up Workbenches
- Manage assembly components and explore their mock-up details
- Manipulate the view points
- Perform measurements
- Highlight critical areas using 2D and 3D annotations
- Link information to external files

Contents

- DMU Kinematics an Overview
- Defining a Mechanism
- Simulating Mechanisms
- Analyzing Movements
- Recording and Playing Simulations
- Miscellaneous Functionalities



Please do not hesitate to call **MAWEA** at **03-7783 3459** for further info or **FAX to 03-77816818** for registration.

MAWEA INDUSTRIES SDN. BHD. (356204-A)

30D, Jalan PJS 1/46, Petaling Utama, 46000 Petaling Jaya, Selangor, Malaysia.

Tel: +603 - 7783 3459 Fax: +603 - 7781 6818 Email: training@mawea.com.my

www.mawea.com.my

